

# Lossnay

Models:

**LGH-F300RX<sub>3</sub>-E**

**LGH-F470RX<sub>3</sub>-E**

**LGH-F600RX<sub>3</sub>-E**

**LGH-F1200RX<sub>3</sub>-E**

## Operating Instructions

**(For the user)**

Please read through these instructions in order to familiarize yourself with the proper and safe procedures for operating the Lossnay.

After reading this manual, keep it in an easily accessible and safe place for future reference.

### Safety precautions

The following signs indicate that death or serious injury may be caused by a failure to heed the precautions described below and the resultant mishandling of the product.

#### **WARNING**



- This product must not be disassembled under any circumstances. Only authorized repair technicians are qualified to conduct disassembly and repairs.  
(Failure to heed this warning may result in fire, electrical shock or injury.)  
If your product needs to be repaired, consult your dealer.



- Do not splash water over this product.  
(Failure to heed this warning may result in fire and/or electrical shock.)
- If flammable gases should leak, do not turn the Lossnay's switch on or off.  
(Failure to heed this warning may cause the electrical contacts to generate sparks which may result in an explosion.)  
Open windows to ventilate.



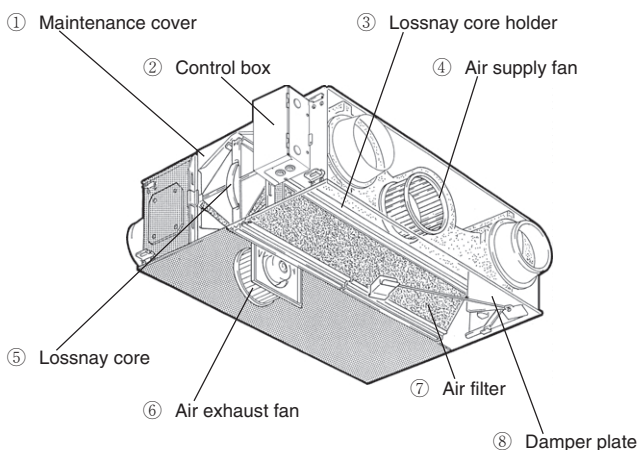
- Do not poke your fingers or sticks into the air intake and outlet while the product is operating.  
(Failure to heed this warning may result in injury.)



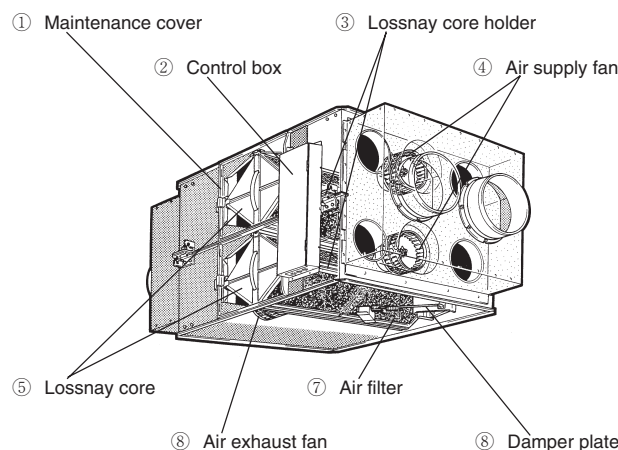
- Gloves should be worn when doing the installation and maintenance work.  
(Failure to heed this warning may result in injury.)
- Be sure that the power board circuit breaker is in the OFF position and is securely locked by lock and key before proceeding with maintenance work.  
(Failure to heed this warning may result in electrical shock or injury.)
- In the event of trouble (smell of burning, etc.), shut down operation, set the power board circuit breaker to its OFF position and consult your dealer.  
(Continued operation without remedying the trouble may result in electrical shock, fire, etc.)

### Names of the parts

#### Models LGH-F300, F470, F600RX<sub>3</sub>-E



#### Model LGH-F1200RX<sub>3</sub>-E

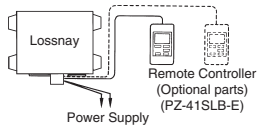


# Operation

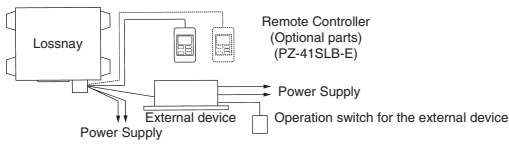
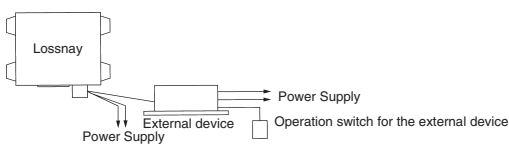
## 1. For connection of a remote controller (PZ-41SLB-E)

If the Lossnay's operation is linked with the operation of an external device such as an air conditioner, the method of use will differ, so carry out the appropriate operation in accordance with the following table. Also, please see the installation and user's manual for the remote controller (PZ-41SLB-E).

### <If not connected to an external device>

Example of System	Operation	Function
	Run using the remote controller.	<ul style="list-style-type: none"> <li>If 2 remote controllers are used, the last controller to be used has priority. (Last Command)</li> </ul>

### <If connected to an external device>

	If an external device is connected the "On/Off" function of this device will also control the Lossnay operation.	<ul style="list-style-type: none"> <li>If you would like to turn ON the Lossnay alone while the external device is OFF, operate it by the Lossnay remote controller.</li> <li>The fan speed is on "High".</li> <li>The ventilation mode is "Ventilation Mode Auto Select".</li> </ul>
		

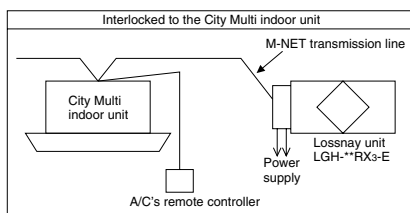
## 2. For connection of a Mitsubishi Electric Air-Conditioner Network System (MELANS) or City Multi.

This is to be incorporated and used in the Mitsubishi Electric Air-Conditioner Network System. This is interlocked with the City Multi and operated by it.

### Note

- Remote controller PZ-41SLB-E cannot be used with this system.

### System diagram

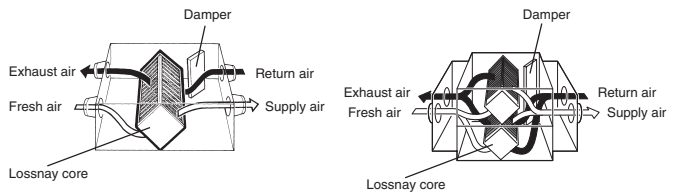


### LOSSNAY VENTILATE setting

Both fresh air supply and return air pass through the Lossnay core(s). Resulting in full heat exchange. Lossnay ventilate setting is used for cooling in the summer and heating in the winter period.

#### Models LGH-F300, F470, F600RX3-E

#### Model LGH-F1200RX3-E

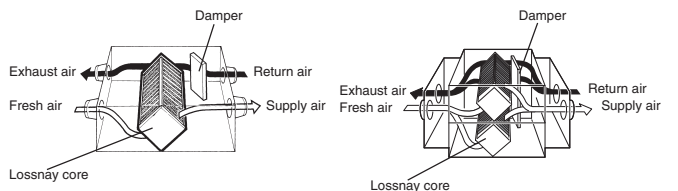


### BY-PASS VENTILATE setting

The fresh air passes through the Lossnay core(s) and the return room air is exhausted direct. Lossnay bypass ventilate is normally operated during the spring/autumn months.

#### Models LGH-F300, F470, F600RX3-E

#### Model LGH-F1200RX3-E



### AUTOMATIC VENTILATION setting

The automatic damper mode automatically provides the correct ventilation for the conditions in the room. The following shows the effect "By-pass" ventilation will have under various conditions.

# Operation (Continued)

## 1. Reduces cooling load

If the air outside is cooler than the air inside the building during the cooling season (such as early morning or at night), "By-pass" ventilation will draw in the cooler outside air and reduce the cooling load on the system.

## 2. Night purge

"By-pass" ventilation can be used to release hot air from inside the building that has accumulated in buildings a business district during the hot summer season.

## 3. Office equipment room cooling

During cold season, outdoor air can be drawn in and used as is to cool rooms where the temperature has risen due to the use of office equipment.  
(Only when interlocked with City Multi and Mr. Slim indoor unit)

# Maintenance

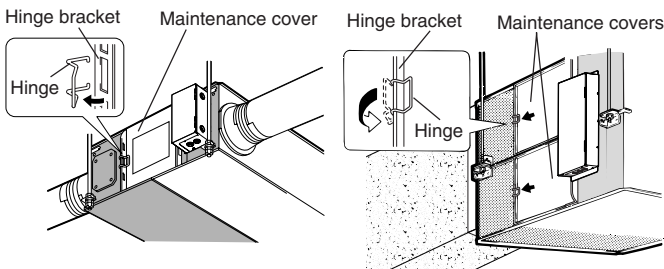
Remove all dust and dirt on air filters and Lossnay core(s) at regular intervals in order to prevent a deterioration in the Lossnay functions.

Guideline: Clean the air filters once a year.  
Clean the Lossnay core(s) once two year.

## Removing the parts

### 1) Maintenance cover

Locate and remove the cover fixing screw. Pull back the hinged clip. Open the door and lift off of the hinge brackets.



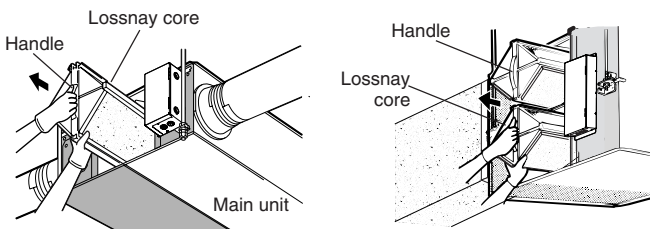
Models LGH-F300, F470, F600RX3-E

Model LGH-F1200RX3-E

### 2) Lossnay core(s)

Take hold of the handle and draw the Lossnay cores out from the main unit.

Model LGH-F300, F470, F600RX3-E: ..... 2 cores  
Models LGH-F1200RX3-E: ..... 4 cores



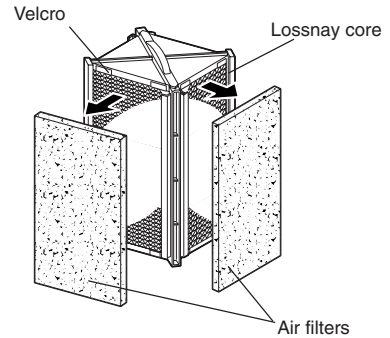
Models LGH-F300, F470, F600RX3-E

Model LGH-F1200RX3-E

### 3) Air filters

After pulling out the Lossnay core(s), pull the air filters, located at the bottom left and right of the Lossnay core(s), off the velcro that holds them in place.

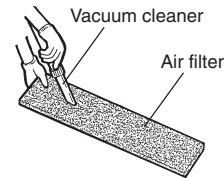
Model LGH-F300, F470, F600RX3-E: ..... 4 filters  
Models LGH-F1200RX3-E: ..... 8 filters



## Cleaning the parts

### 1) Air filters

Use a vacuum cleaner to remove light dust. To remove stubborn dirt wash in a mild solution of detergent and lukewarm water. (under 104°F)



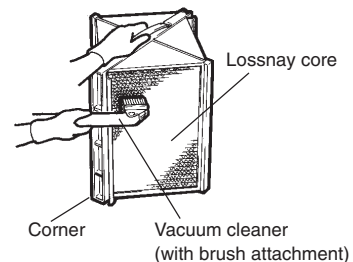
### CAUTION

- Never wash the filters in very hot water and never wash them by rubbing them.
- Do not dry the filters by exposing them to a flame.

### 2) Lossnay core

Use a vacuum cleaner to suck up the dust and dirt on the exposed surfaces of the Lossnay cores. Use a soft brush only to clean exposed surface areas.

**Do NOT wash in water.**



### CAUTION

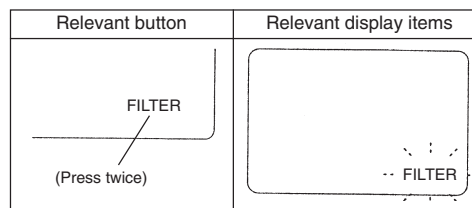
- Do not use the hard nozzle of the vacuum cleaner. It may damage the exposed surfaces of the Lossnay core(s).
- Under no circumstances should the Lossnay core(s) be washed in water.

## Maintenance (Continued)

### Assembly after maintenance

- Bearing in mind the following points, assemble the parts following the sequence for their removal in reverse.
  - Align the air filter with the grooves on the Lossnay and holder and push it in.
  - When installing the air filters, take care not to damage the exposed surfaces of the Lossnay cores.

- Press the filter button on the remote controller (PZ-41SLB-E) two times in succession.  
(This clears the Lossnay's operating time cumulative data.)



## Specifications

Model name	Voltage (V)	Line frequency (Hz)	Current (A)	Power consumption (W)	Air volume (CFM)	Static pressure (in. H <sub>2</sub> O)	Exchange efficiency (%)			Sound level (dB(A))		Weight (lbs)
							Temperature	Enthalpy		Below the unit	Air outlets	
								Heating	Cooling			
LGH-F300RX <sub>3</sub> -E	1-Phase 208 - 230	60	1.3	278	300	0.65	69	62	44	36	44	73
LGH-F470RX <sub>3</sub> -E	1-Phase 208 - 230	60	2.5	560	470	0.96	69	62	44	39	50.5	143
LGH-F600RX <sub>3</sub> -E	1-Phase 208 - 230	60	2.9	654	600	0.80	69	62	44	39	47	159
LGH-F1200RX <sub>3</sub> -E	1-Phase 208 - 230	60	5.7	1290	1200	0.75	69	62	44	41	52	395

- \* The values given in the table for the sound level reflect the levels measured at a position 59 inch immediately below the unit in an anechoic chamber.
- \* The sound at the air outlets is the values at a 45° angle, 59 inch in front of the unit.
- \* The above values apply during Lossnay ventilation when the fan speed is set to extra high speed.
- \* The values are under 230V 60Hz.

## After-sales servicing

Consult with your dealer about the after-sales services provided for this Lossnay product.

If you hear strange sounds, if no air is blown out or if some other trouble occurs, switch off the power and contact your dealer. Consult with your dealer concerning the cost of inspection or repair work.